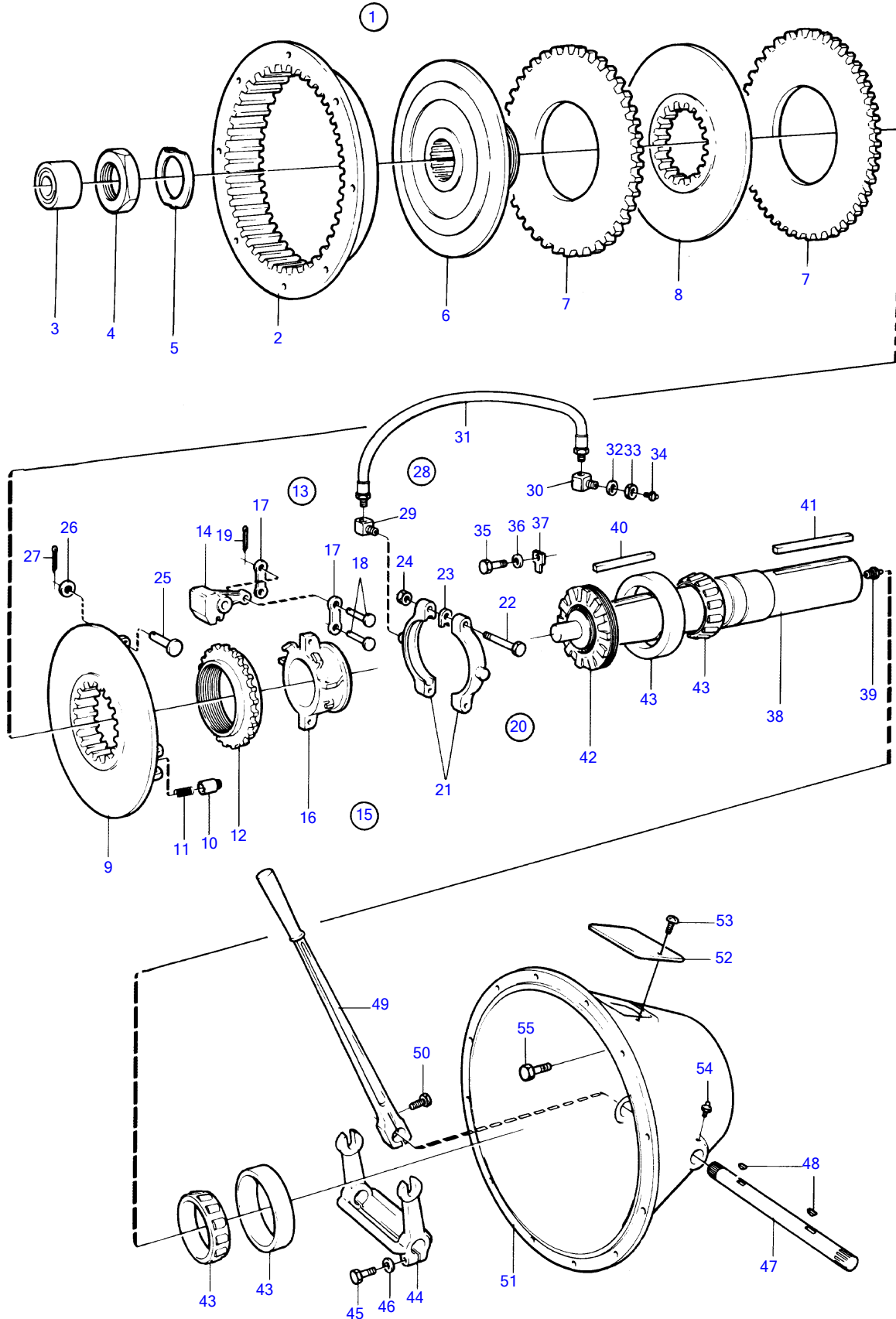


D12D-A MG



D12D-A MG

REF	PART NO.	QTY	DESCRIPTION	NOTES
1	845705	1	Clutch	SP211
2	848107	1	• Drive ring	
3	806596	1	• Ball bearing	
4	(848118)	1	• Nut	Obsolete part
5	(848119)	1	• Washer	Obsolete part
6	(848108)	1	• Hub	Obsolete part
7	848109	2	• Drive plate	
8	(848111)	1	• Plate	Obsolete part
9	(848110)	1	• Disc	Obsolete part
10	(848115)	1	• Pin	Obsolete part
11	848116	1	• Spring	
12	(806126)	1	• Adjusting ring	Obsolete part
13		1	• Throw-out bearing	
14	806127	3	• • Intermediate lever	
15		1	• • Sliding sleeve	
16	848112	1	• • • Sleeve	
17	(806122)	6	• • • Link	Obsolete part
18	(806123)	6	• • • Shaft	Obsolete part
19	907849	6	• • • Split pin	
20	848126	1	• • • Stop ring	
21		1	• • • Collar	
22	(804869)	2	• • • Screw	Obsolete part
23	(848114)	2	• • • Adjusting washer	Obsolete part
24	(804839)	2	• • • Nut	Obsolete part
25	(827350)	3	• Clevis pin	Obsolete part
26	(806129)	6	• Lock washer	Obsolete part
27	907861	3	• Split pin	
28		1	• Hose	
29	(848128)	1	• • Nipple	Obsolete part
30	(848129)	1	• • Nipple	Obsolete part
31	848127	1	• • Hose	
32	955953	1	• Toothed washer	
33	(805560)	1	• Nut	Obsolete part
34	(827627)	2	• Lubricator	Obsolete part
35	(848120)	1	• Screw	Obsolete part
36	(808733)	1	• Washer	Obsolete part
37	(827642)	1	• Lock plate	Obsolete part
38	(848106)	1	• Shaft	Obsolete part
39	(805397)	1	• Lubricating nipple	Obsolete part
40	(804819)	1	• Key	Obsolete part
41	(806593)	1	• Key	Obsolete part
42	848124	1	• Retainer	
43	848117	2	• Bearing	
44	(848121)	1	• Fork	Obsolete part
45	940162	2	• Hexagon screw	
46	955950	2	• Toothed washer	
47	(806119)	1	• Shaft	Obsolete part
48		2	• Wedge	
49	(805732)	1	• Hand lever	Obsolete part
50	955563	1	• Hexagon screw	
51		1	• Housing	
52	(806007)	1	• Hatch	Obsolete part
53	(805558)	2	• Screw	Obsolete part
54	914167	2	• Lubricating nipple	
55	(961921)	1	• Set screw	Obsolete part